

275

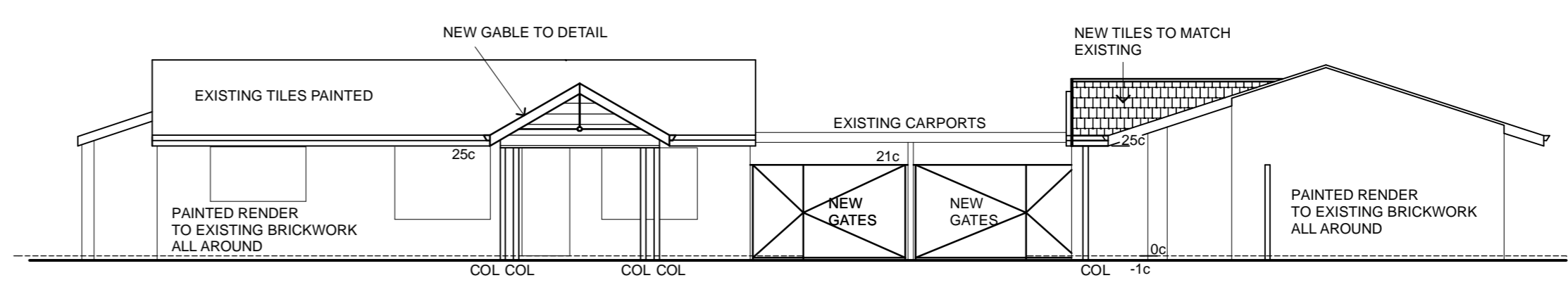
273

NOTES

ONLY NEW DOWNPIPES (NEW DP) INDICATED

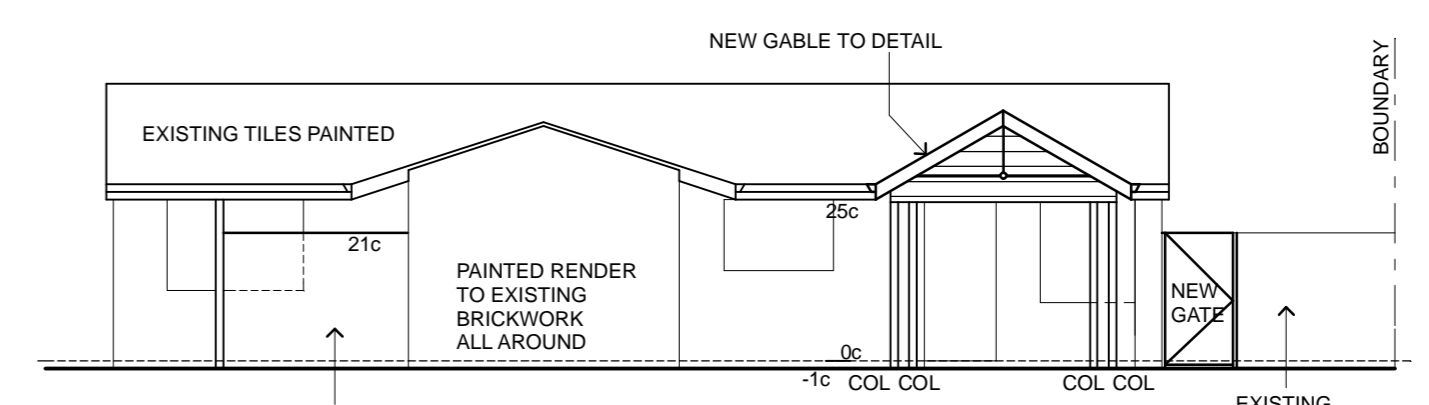
LEGEND

- (B) BOLLARD LIGHT TO ELECTRICAL ENGINEER DRAWING AND SPEC.
- (G) NEW GATE TO SPEC.
- [Hatched Box] NEW BRICK PAVING TO SPEC.
- [Dotted Box] EXISTING SPOT LEVELS
- [Dashed Line] EXISTING FENCE / KERB / STRUCTURE TO BE REMOVED
- [Hatched Box with 'B 1800'] BRICK FENCE TO DETAIL AT HEIGHT NOMINATED
- [Hatched Box with 'C 1800'] COLORBOND FENCE HEIGHT NOTED
- (Tree Symbol) TREE TO REMAIN
- (Circle with 'R') TREE TO BE REMOVED
- (Circle with 'S') STUMP TO BE REMOVED

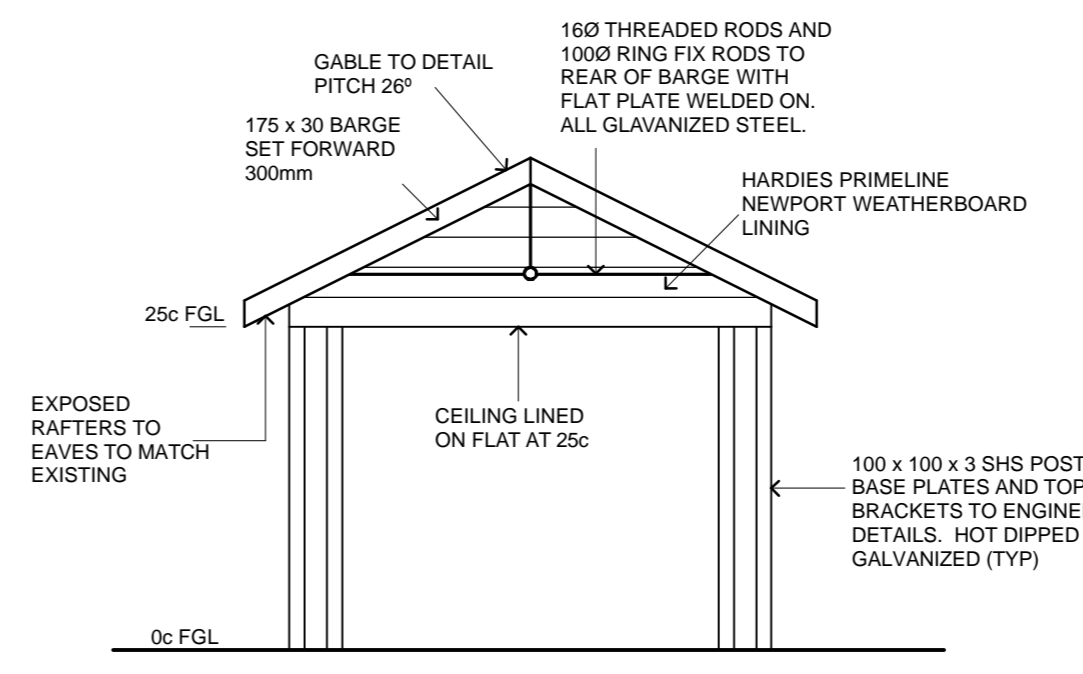


21A FRONT ELEVATION
SCALE 1:100

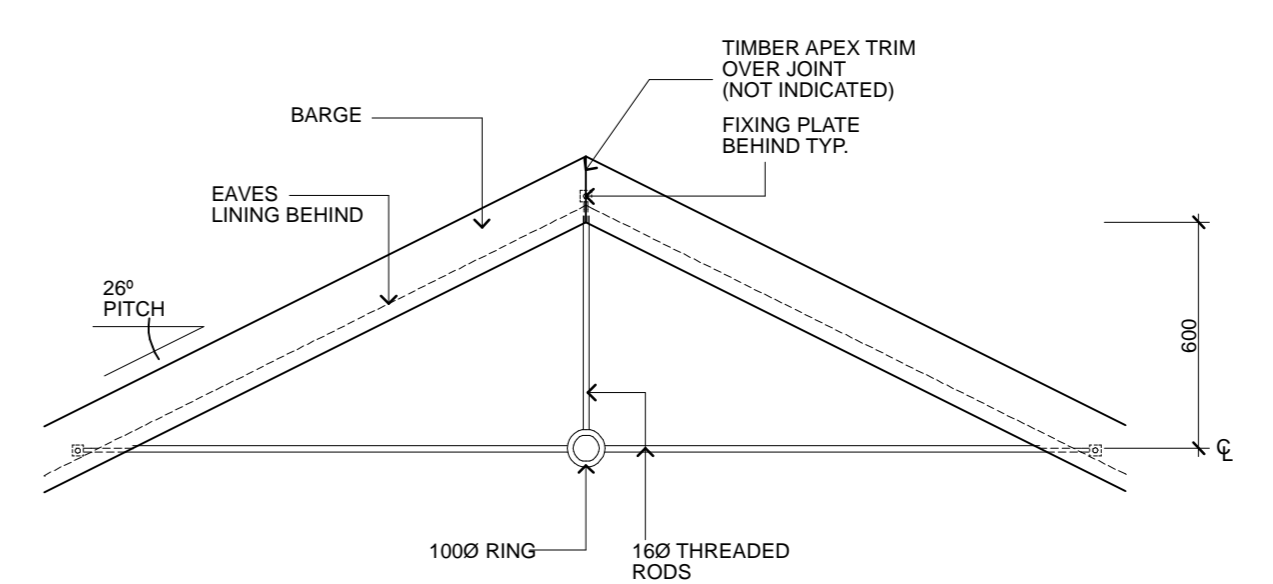
21B SIDE ELEVATION
SCALE 1:100



21B FRONT ELEVATION
SCALE 1:100
NOTE - CARPORT NOT INDICATED



TYPICAL PORCH
SCALE 1:50



GABLE DETAIL
SCALE 1:20

REV.	DESCRIPTION	DATE
A	PAVING ADJUSTED	10.01.06

EASTERN HORIZONS MIDLAND

DRAWING TITLE
#12 Charles St.

PROJECT No. 01.007 DWG. No. A19 A

SCALE AS SHOWN CHECKED: GD
DRAWN: KDSH DATE: 14.07.04

PLOTTED: 10/01/2006 5:04 PM

MORLEY DAVIS architects
architecture . interiors . planning . project management

107 Cambridge Street, West Leederville WA 6007
Tel: (08) 9388 7777 Fax: (08) 9388 7755
Email: mda@morleydavis.com.au ABRN 61 4 05 811 799

THIS DRAWING IS COPYRIGHT PROTECTED AND SHALL NOT BE USED WITHOUT THE WRITTEN PERMISSION FROM MORLEY DAVIS ARCHITECTS PTY LTD.